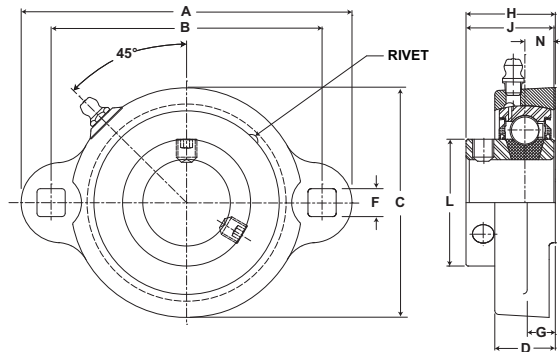


# Browning<sup>®</sup> Mounted Ball Bearings



**Duty:** Intermediate  
**Rolling Elements:** Ball  
**Housing:** Ductile Iron Two Bolt Flange  
**Self Alignment:** +/- 1.5 Degrees  
**Lock:** Setscrew  
**Seal:** Contact  
**Temperature:** -20° to 200°F



## VF2S 100-M Series Intermediate Duty Ductile Iron Two Bolt Flanges - Setscrew Locking

Bore Diameter inch	Part No.	Bearing Insert No.	Basic Dynamic Rating lb/N	Dimensions inch / mm										Bolt Size	Unit Wt. lb/kg
				A	B	C	D	F Square	G	H	J	L	N		
1/2	VF2S-108M	VS-108	2108	3 3/16	2 1/2	1 15/16	5/8	19/64	13/32	31/32	15/16	31/32	5/16	1/4	.6
5/8	VF2S-110M	VS-110	9377	81.0	63.5	49.2	15.9	7.5	10.3	24.6	23.8	24.6	7.9		.27
3/4	VF2S-112M	VS-112	2611 11614	3 9/16	2 13/16	2 1/4	23/32	23/64	7/16	1 7/64	1 1/16	1 3/16	11/32	5/16	.9 .41
7/8	VF2S-114M	VS-114	2801 12459	3 3/4	3	2 1/2	25/32	23/64	7/16	1 3/16	1 7/64	1 3/8	11/32	5/16	1.0 .45
15/16	VF2S-115M	VS-115		95.3	76.2	63.5	19.8	9.1	11.1	30.2	28.2	34.9	8.7		
1	VF2S-116M	VS-116													
1 1/8	VF2S-118M	VS-118	4381 19487	4 7/16	3 9/16	2 15/16	29/32	27/64	15/32	1 17/64	1 5/32	1 19/32	3/8	3/8	1.5 .68
1 3/16	VF2S-119M	VS-119		112.7	90.5	74.6	23.0	10.7	11.9	32.1	29.4	40.5	9.5		
1 1/4	VF2S-120SM	VS-120S													
1 1/4	VF2S-120M	VS-120	5782 25718	4 13/16	3 15/16	3 3/8	31/32	27/64	1/2	1 25/64	1 9/32	1 35/64	27/64	3/8	1.9 .86
1 3/8	VF2S-122M	VS-122		122.2	100.0	85.7	24.6	10.7	12.7	35.3	32.5	39.3	10.7		
1 7/16	VF2S-123M	VS-123													

Metric dimensions for reference only.

Not all parts are available from stock. Please contact customer service for availability (800) 626-2120.

For more information on bearing capabilities outside of our standard offering, please contact Application Engineering (800) 626-2093.